

The **WAGNER TOPFINISH Bell 1S** expands the range of high-speed rotation atomisers to meet the increasing demands for automation in liquid coating.



While the RobotBell can be mounted on a robot arm, the **TOPFINISH Bell 1S** has been specially designed for use with reciprocators and linear axes. It is ideal for electrostatic applications with water and solvent-based paints and can be applied for automated liquid coating in a wide range of industries where high-quality surfaces are required.

- Ideal coating results with super-fine atomisation
- High variability thanks to individual adjustment of the spray jet with two shroud airs – depending on the workpiece geometry requirements, both a wide, soft spray pattern and a small, hard spray jet can be generated
- Minimum effort for assembly & maintenance thanks to sturdy turbine technology and components made from stainless steel



Low operating costs

Around 20% less air consumption than other comparable products.

Optimised control

Combination of the TOPFINISH Bell 1S with the RBC 1E control unit: automated control of the bell speed, control of high voltage, shroud and drive airs and other process parameters.



Efficient material consumption

Depending on the material, flow rate and workpiece, an application efficiency of over 90% can be achieved.

Versatile range of applications

Large selection of bell discs available to match the workpiece and material being used. The TOPFINISH Bell 1S is used in combination with reciprocators and linear axes.

Fast colour changes

Optional valve disc with 2 or 4 valves, together with inbuilt dump valve, enables a colour change within only 5 seconds.

Cost efficient 2K option

Processing of 2 materials with integrated static mixer.



Technical data

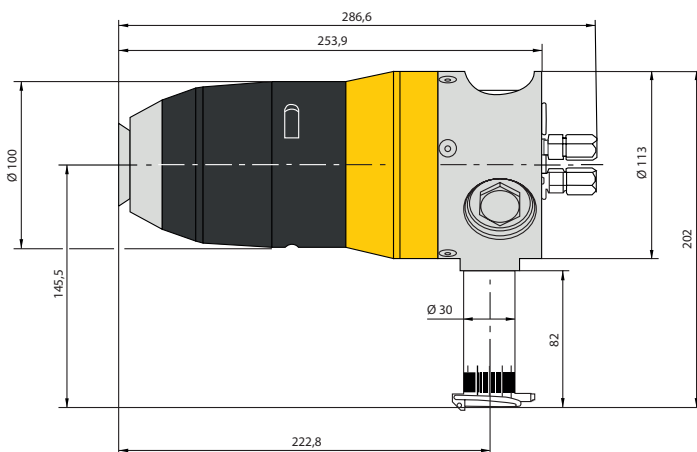
Characteristics	Values
Shaft bearing	Air bearing
Maximum voltage	100 kV
Nozzle sizes	Ø 0.8 / 1.1 / 1.4 / 1.7 mm
Bell disc - Size - Serration - Material	30 mm / 50 mm / 70 mm Smooth, straight / cross serrated Consistal / titanium
Material volume	25* - 800** ml/min
Spray jet diameter	Approx. 70 - 800 mm
Bearing air pressure	5.5 bar
Weight	4 kg (1 colour)
Valve disc (number of colours)	1 / 2 / 4

* only possible with precise dosing units

** only possible with large bell disc & nozzles

Characteristics	Values
Drive air pressure	0 - 8 bar
Brake air pressure	0 - 6 bar
Shroud air pressure	0.2 - 4.5 bar
Material pressure	Typically 0.5 - 2.0 bar Max. 8 bar
Material connections	G ¼" internal
Air connections	4 / 6 / 8 mm
Max. material temperature	+50 °C
Ambient temperature	0 °C to +40 °C
Temperature of turbine air	+15 °C to +50 °C

Dimensions (in mm), with valve disc (1 colour)



Processable material

- Solvent-based paint 1K / 2K
- Water-based paint 1K / 2K
- UV paint
- Sol-gel
- Micro corrosion protection paint

Typical applications

- Agricultural & construction machine components
- Furniture, window frames
- Plastic components
- Automotive industry (e. g. wheel rims)
- Other industrial applications

J. Wagner GmbH
Industrial Solutions
D-88677 Markdorf
Tel.: +49 (0) 7544 505 - 0
Fax: +49 (0) 7544 505 - 200

www.wagner-group.com