

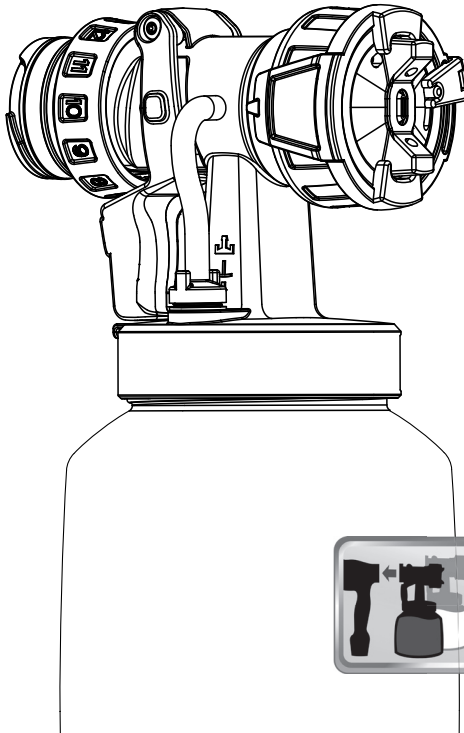
# WAGNER

## StandardSpray

### 标准喷涂

操作手册 1

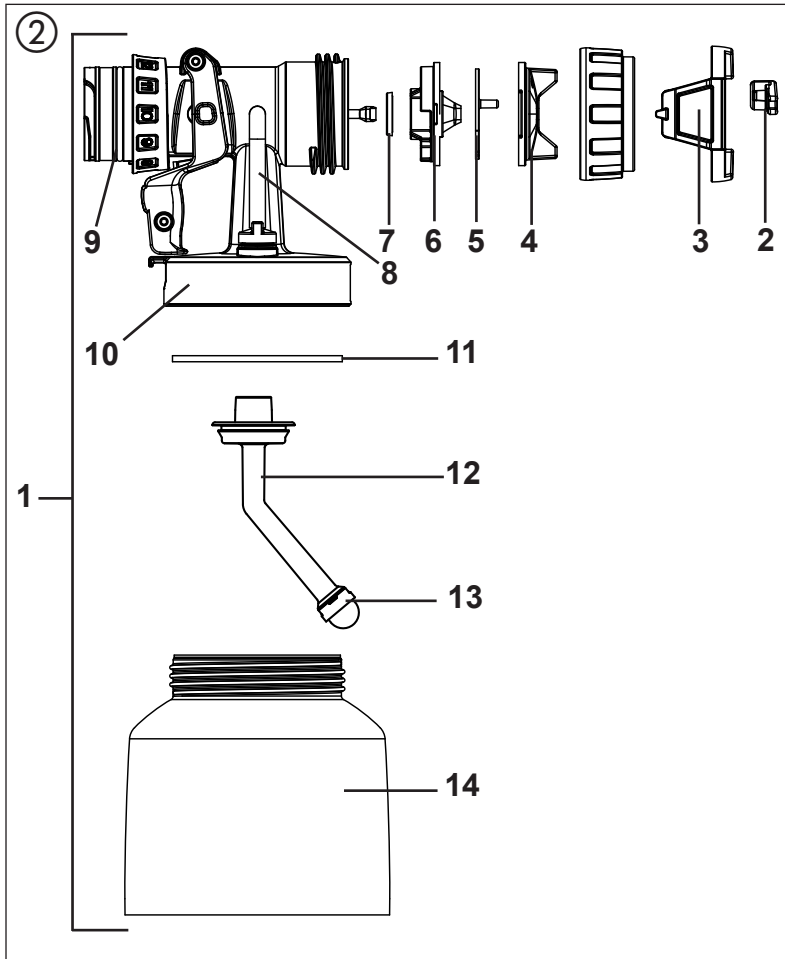
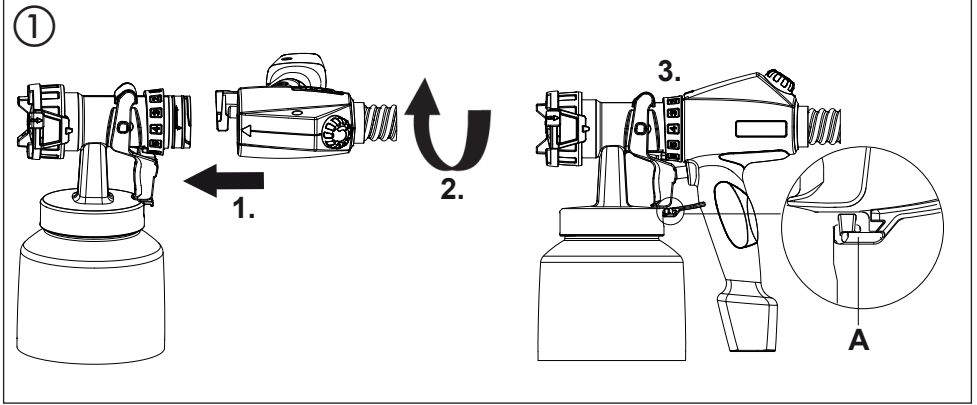
Operating manual 4



2330 075

07/2012

© Copyright by J.Wagner GmbH



使用附加装置前，请阅读本操作说明，并熟悉基本单元的操作说明。基本单元的安全操作说明适用于本标准喷涂附加装置。

标准喷涂附加装置是专为水溶性油漆和清漆以及含溶剂油漆和清漆的使用而开发的设备，可与CLICK&PAINT喷漆系统的所有设备一起使用

### 适合使用的涂料

#### 溶剂型和水溶性清漆

媒染剂、釉料、浸渍剂、油剂、透明清漆、合成瓷漆、色漆、醇酸树脂清漆、底漆、散热漆、锤纹瓷漆、防锈漆、特效漆、质感漆/

### 不适合使用的涂料

#### 内墙油漆（乳液和乳胶漆）

含有高磨料成分、幕墙油漆、苛性碱溶液和酸性涂层物质的材料。

闪点低于21°C的材料。

### 涂料制备



请遵循油漆罐或技术说明书上的制造商涂料使用说明的要求。

Fine-spray系统的无故障操作的绝对先决条件为涂料无杂质。如对涂料纯度有任何疑问，最好先用细筛进行过滤。

涂料	处理	备注
溶剂型清漆	按照制造商使用说明的要求	
水溶性清漆	按照制造商使用说明的要求	
媒染剂、釉料、浸渍剂、油剂	未稀释	建议采用FineSpray喷涂附加装置（棕色）
透明清漆、合成瓷漆、色漆、醇酸树脂清漆	按照制造商使用说明的要求	
底漆、散热漆、锤纹瓷漆	按照制造商使用说明的要求	
防锈漆、特效漆	按照制造商使用说明的要求	
多彩漆、质感漆	按照制造商使用说明的要求	建议采用WallSpray喷涂附加装置（白色）

## 组装

组装时，将喷涂附加装置插入喷枪手柄，使两个箭头相互对着。按照箭头方向将喷枪手柄转动90°，直到听到附加装置啮合为止（图1）。

拆卸喷涂附加装置时，按下扳机下的搭扣（图1、A），将喷涂附加装置转动90°。



喷雾形状设置和正确喷涂技术详情，请参看基本单元的使用说明。

## 备件（图2）



禁止将其他附加装置的不同颜色零部件组合在一起。

位置	订单编号	名称
1	2330 165	成套标准喷涂附加装置（黄色）
2	2314 594	喷雾射流宽度调节杆（空气成形）
3	2314 591	喷雾射流水平调节环（垂直/水平）
4	2317 807	枪帽
5	2314 585	空气滤网
6	2317 423	喷嘴（S 4.1）
7	2323 934	喷嘴密封装置
8	2304 027	单向阀（通风软管、阀盖、隔膜）
9	0417 308	喷涂附加装置的O型环
10	2324 250	喷枪主体（包括位置7-9）
11	2319 223	容器密封装置
12	2319 222	进料管
13	2324 248	细进料管过滤器（红色，5件）
	2324 249	粗进料管过滤器（白色，5件）
14	2322 451	1000 ml的带盖容器
	2315 539	润滑脂

## 环境保护



应以环保方式对装置和附件进行回收利用。禁止随家庭垃圾一起处理该装置。为了环保，应将装置拿到当地收集点或向专门零售商了解信息。

## 产品责任方面的重要注意事项！

使用其他附件和备件可能无法获得部分或全部产品责任和保修索赔。WAGNER原厂附件和备件保证达到所有安全法规要求。

Wagner Spraytech(shanghai) Co., Ltd.

Division Professional Finishing

No.1280, Wanrong Road

200436, Shanghai, China

**Before using the attachment, read these operating instructions and familiarise yourself with the operating instructions for the basic unit. The safety instructions for the basic unit apply to this StandardSpray spray attachment.**

The **StandardSpray spray attachment** was developed for applying water-soluble paints and lacquers as well as paints and lacquers containing solvents. The StandardSpray spray attachment can be used with all devices with the CLICK&PAINT SYSTEM.

### Coating materials suitable for use

Solvent-based and water-soluble lacquer paints

Mordants, glazes, impregnations, oils, clear varnishes, synthetic enamels, coloured paints, alkyd resin varnishes, primers, radiator paints, hammer effect enamels, anti-rust paints, special-effect paints, textured paints

### Coating materials not suitable for use

Interior wall paint (dispersions and latex paint)

Materials that contain highly abrasive components, facade paint, caustic solutions and acidic coating substances.

Materials with a flash point below 21°C.

### Preparing the coating material



Observe the manufacturer's instructions for the use of the coating material on the paint tin or on the technical instruction sheet.

An absolute precondition for the trouble-free operation of the fine-spray system is that the coating material is uncontaminated. If you have doubts as to the purity of the coating material, we recommend that you first filter it through a fine sieve.

COATING MATERIAL	PROCESSING	COMMENTS
Solvent-based lacquer paints	observe manufacturer's instructions	
Water-soluble lacquer paints	observe manufacturer's instructions	
Mordants, glazes, impregnations, oils	undiluted	FineSpray spray attachment (brown) recommended
Clear varnishes, synthetic enamels, coloured paints, alkyd resin varnishes	observe manufacturer's instructions	

COATING MATERIAL	PROCESSING	COMMENTS
Primers, radiator paints, hammer effect enamels	observe manufacturer's instructions	
Anti-rust paints, special-effect paints	observe manufacturer's instructions	
Multicolor paints, textured paints	observe manufacturer's instructions	WallSpray spray attachment (white) recommended

## Assembly

For assembly, insert the spray attachment into the gun handle so that the two arrows point at each other. Turn the gun handle 90° in the arrow direction until it audibly engages. (Fig. 1)

To remove the spray attachment, push the catch (Fig. 1, A) beneath the trigger down and turn the spray attachment by 90°.



For further information on setting the spray pattern and the correct spraying technique refer to the instructions of the basic device.

## Spare Parts (Fig. 2)



You cannot combine different-coloured parts of other attachments.

POS.	ORDER NO.	DESIGNATION
1	2330 165	StandardSpray spray attachment (yellow) complete
2	2314 594	Spray jet width adjusting lever (shaping air)
3	2314 591	Spray jet level adjusting ring (vertical/horizontal)
4	2317 807	Air cap
5	2314 585	Air screen
6	2317 423	Nozzle (S 4.1)
7	2323 934	Nozzle seal
8	2304 027	Non-return valve (Ventilating hose, valve cover, diaphragm)
9	0417 308	O-ring of spray attachment
10	2324 250	Body of gun (including position 7-9)

POS.	ORDER NO.	DESIGNATION
11	2319 223	Container seal
12	2319 222	Feed tube
13	2324 248 2324 249	Fine feed tube filter (red, 5 pc.) Coarse feed tube (white, 5 pc.)
14	2322 451	Container with cover 1000 ml
	2315 539	Lubricating grease

### Environmental protection



The appliance and accessories should be recycled in an environmentally friendly way. Do not dispose of the appliance with household waste. Support environmental protection by taking the appliance to a local collection point or obtain information from a specialist retailer.

### Important Note regarding Product Liability!

Using other accessories and spare parts can lead to partial or total loss of liability and guarantee claims. With original WAGNER accessories and spare parts, you have the guarantee that all safety regulations are fulfilled.

Wagner Spraytech(shanghai) Co., Ltd.

Division Professional Finishing

No.1280, Wanrong Road

200436, Shanghai, China