



IceBreaker®

高压柱塞泵 HIGH PRESSURE PISTON PUMPS



- 能量强大 Powerful
- 坚固牢靠 Extremely Robust
- 可靠性高 Reliable

经济与牢固

Economical and robust

Exceptional attributes

Outstanding durability, very high reliability and unique features make the IceBreaker® the optimal choice for almost any high pressure application. High efficiency air motors ensure smooth operation and impeccable coating results. The wide pump range enables the unit to successfully meet the needs of small workshops that coat window frames or wood cabinets, as well as those of big industries that produce industrial vehicles or huge wind energy towers. They are ideal for applying water- and solvent-borne paints.

1 可靠性 Reliable

马达独特的内部设计及其特有的换向阀极大地减少了结冰冷凝现象，从而确保优异的运行和超常的可靠性。
The unique internal design of the motor and its special discharge valves drastically reduce ice formation and prevent accumulation to ensure superior performance and exceptional reliability.

2 承受所有压力 Under full pressure

换向阀的无密封圈设计确保换向灵敏，不必考虑工作压力的变化，都可得到完美的喷涂效果。
The packing-free, anti-stalling pilot valve is always fed by full air pressure, regardless of the adjusted working pressure, to guarantee high speed inversions and optimal performance.

3 安全操作 Safe operation

压力调节阀结合了一个安全空气阀，保证停机时，空气马达中没有压力。
The pressure regulator is integrated with a safety air valve to ensure, when it is closed, that no pressure is left in the air motor.

4 维修方便 Service friendly

轻松分离油罩杯。柱塞和空气马达之间可快速脱离，从而可以快速地将油漆缸体取下。
The release agent cup is easily accessible. The quick-release coupling between the piston rod and air motor makes it possible to quickly and easily disconnect the fluid section.

5 过滤和回流 Filtration and Recirculation

大容量过滤器易于清洗，结合回流阀使冲洗更加全面。
The large easy-to-clean material filter combined with the recirculation valve creates maximum performance in cleaning and flushing.

6 工作性能和持久性 Performance and durability

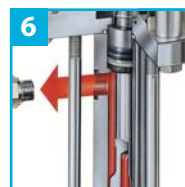
不管何种油漆的使用，可调密封圈和不锈钢厚硬镀铬的油漆部分保证设备的耐用性。
Self-adjusting packings and a thick hard chrome plated stainless steel fluid section ensures durability regardless of the material used.

7 便于长期使用 Easy and long lasting

大尺寸球阀带硬金属底座确保高强度抽吸以及长时间工作。轻松拆开清洗，不用拆装液体部分。同时抽吸管配备旋转接头，可以自由转动。
The large ball valve with hard metal seats ensures a strong suction power and an extremely long working life. Easily opened for cleaning without disassembling the fluid section. The suction hose moves freely on a swivel joint.

杰出的贡献

出色的耐用性，高可靠性和独特的功能使Icebreaker成为几乎任何一种高压应用的首选。高效率空气马达确保平稳的运行和无瑕的喷涂效果。泵的种类广泛可以满足从小型家具生产厂家到那些制造工业汽车装备或者风力塔机的重型工业。他们能理想用于水性或者溶剂性油漆。



CE  II 2G IIB T3

 **WAGNER**
IceBreaker
MOTOR

高压雾化技术

High pressure atomizing technologies

无气和空气辅助喷涂

瓦格纳柱塞泵是应用任何高压雾化技术最理想的选择。可以配套所有用于无气或者空气辅助应用的设备。

Airless and AirCoat

WAGNER IceBreaker® Piston pumps are the appropriate choice for any kind of high pressure atomizing technology. They are readily equipped with all necessary connections and components for Airless or AirCoat applications.

无气喷涂 AIRLESS

实用性喷涂

For functional coatings

通过一个小孔高压液体获得雾化，可理想用于厚的涂层和喷涂大面积表面，确保高速应用和高油漆利用率。出色用于防腐保护性喷涂，液体压力达到500巴。
Atomization is achieved by "pumping" high pressure fluid through an orifice. Ideal for applying thick layers and coating large surfaces. Ensures fast application speed and high transfer efficiency. Excellent for corrosion protection coatings. Fluid pressure up to 500 bar.



空气辅助喷涂 AIRCOAT

高质量表面喷涂

For superior finish quality

雾化由无气和空气喷涂技术结合而成。空气辅助结合了两者的优点，表面质量优异，油漆利用率高，生产速度快。从木器喷涂到工业车辆以及金属结构喷涂都可以得到理想的喷涂效果，可配合多种喷涂应用设备。液体压力达到250巴以及空气压力达到2.5巴。

Atomization is achieved by a combination of Airless and Air Spray technologies. AirCoat combines the advantages of both, resulting in premium surface quality, high transfer efficiency and fast application speed. Ideal for a very wide range of applications from wood finish to industrial vehicle and metal construction coating. Fluid pressure up to 250 bar and air pressure up to 2.5 bar.



产品浏览

Product Overview



Icebreaker产品系列选型表

IceBreaker® selection table

技术参数 Technical Data

		AIRCOAT	AIRCOAT	AIRCOAT	AIRCOAT	AIRCOAT
柱塞泵 Piston pump		Wildcat 10-70	Puma 15-70	Puma 15-150	Wildcat 18-40	Leopard 18-300
压力比率 Pump ratio		10:1	15:1	15:1	18:1	18:1
最大工作压力 Max. working pressure	[bar]	80	120	120	145	140
双冲程流量 Double-stroke volume	[cm ³ /DS]	70	70	150	40	300
最大流量 Max. delivery rate	[L/min]	4.2	4.2	9.0	2.4	18.0
空气压力(最小/最大) Air pressure (min/max)	[bar]	1.5/8.0	1.5/8.0	1.5/8.0	1.5/8.0	1.5/7.7
空气接口尺寸 Air supply	internal thread	G 1/2"	G 1/2"	G 1/2"	G 1/2"	G 1/2"
油漆入口尺寸 Material inlet	internal thread	M 36 x 2	M 36 x 2	M 36 x 2	M 36 x 2	M 36 x 2
油漆出口尺寸 Material outlet	external thread	¾" NPS	¾" NPS	¾" NPS	¾" NPS	¾" NPS
密封圈材料 Packing material	Standard Alternative	PE/TG PE/T	PE/TG PE/T	PE/TG PE/T	PE/TG PE/T	PE/TG PE/T
最多接枪数量 Max. number of guns	Nozzle 0,009"	> 6	> 6	–	5	–
最多接枪数量 Max. number of guns	Nozzle 0,013"	4	4	9	2	> 6
最多接枪数量 Max. number of guns	Nozzle 0,017"	2	2	5	–	> 6



Puma 28-40



Leopard 35-70



Tiger 72-300

AIRCOAT	AIRLESS	AIRCOAT	AIRLESS	AIRCOAT	AIRLESS	AIRCOAT	AIRLESS	AIRLESS	AIRLESS	AIRLESS	
Puma 28-40		Leopard 35-70		Leopard 35-150		Jaguar 38-300		Leopard 48-110		Jaguar 75-150	Tiger 72-300
28 : 1		35 : 1		35 : 1		38 : 1		48 : 1		75 : 1	72 : 1
225		250		270		270		370		530	530
40		70		150		300		110		150	300
2.4		4.2		9.0		18.0		6.6		9.0	12.0
1.5/8.0		1.5/7.1		1.5/7.7		1.5/7.1		1.5/7.7		1.5/7.1	1.5/7.4
G 1/2"		G 1/2"		G 1/2"		G 1"		G 1/2"		G 1"	G 1"
M 36 x 2		M 36 x 2		M 36 x 2		M 36 x 2		M 36 x 2		M 36 x 2	M 36 x 2
3/8" NPS		3/8" NPS		3/8" NPS		3/4" NPS		3/8" NPS		3/8" NPS	3/4" NPS
PE/TG PE/T		PE/TG PE/T		PE/TG PE/T		PE/TG PE/T		PE/TG PE/T PE/L		PE/TG PE/T PE/L	PE/TG PE/T PE/L
5		> 6		-		-		-		-	-
2		4		> 6		> 6		6		> 6	> 6
-		2		5		> 6		3		5	6

喷涂套装 Spraypack Configuration

量身订制方案

多种瓦格纳尔高压配套组件可以使您的 Icebreaker 泵满足您的应用需求。

Customer tailored solutions

The wide range of WAGNER high pressure accessories and components available to enhance your IceBreaker pump enable it to meet any application requirements you may have.



1
**喷枪
Guns**

多种瓦格纳尔空气辅助或者无气喷枪，空气帽以及喷嘴可用于精密喷涂。
A wide range of WAGNER AirCoat or Airless guns, air caps and nozzles for the optimal spray pattern.



2
**管路
Hoses**

瓦格纳尔高压管可耐压530巴，空气辅助双管或者无气单管有多种尺寸和长度可以选择。
WAGNER high-pressure hoses up to 530 bar; AirCoat twin hoses or Airless single hoses in various sizes and length.



3
**抽吸系统
Suction Systems**

瓦格纳尔提供软硬吸料管，漏斗用于输送油漆。
Regardless of whether rigid pipes, hoppers or flexible hoses are used, they are easy to remove and clean.



4
**油漆过滤器与回流装置
Material Filter and Recirculation**

大容量油漆过滤器带多种目数滤网，配备回流装置。
Very high material filter volume, with a selection of different mesh sizes and recirculation equipment.



5
**安装方式
Mounting Equipment**

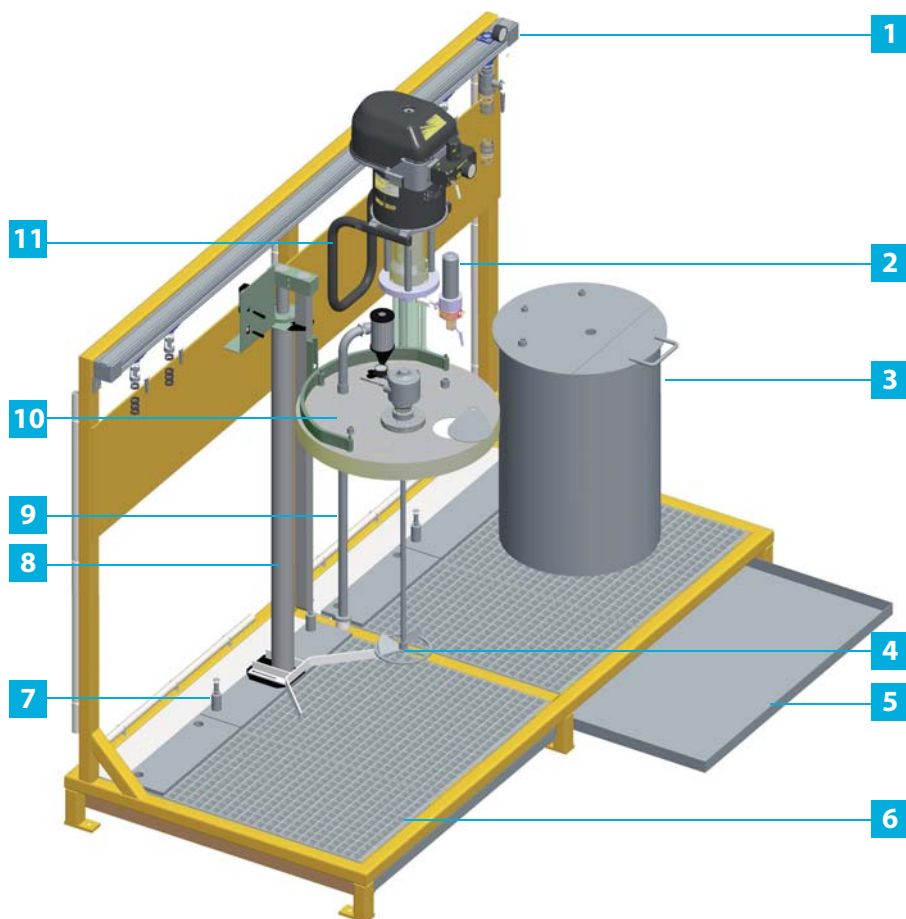
可选择推车，支架，挂墙式安装方式
Select from a handsome trolley or a stand or wall bracket.

专业油漆喷涂输送设备

瓦格纳系统提供范围广泛油漆输送设备。瓦格纳零件目录指导使用者正确挑选组件，例如系统支架，搅拌器，升降机以及油漆调压阀，以及连接组件的管路和接头。

Equipment for professional paint supply

WAGNER offers a complete range of components and accessories required in a comprehensive paint supply system. The WAGNER Accessory Catalog guides the user to the correct selection of components such as system racks, agitators, elevators and material regulators plus the hoses and fittings in order to connect the components.



- 1 空气输入 Air supply
- 2 油漆过滤器 Material filter
- 3 油漆桶 Material box
- 4 搅拌器 Agitators
- 5 油漆收集系统 Drip trays
- 6 泵用支架 Pump rack
- 7 水平探测器
Level monitoring equipment
- 8 升降杆 Elevators
- 9 抽吸管 Suction systems
- 10 桶盖 Drum covers
- 11 墙式固定架 Wall mounts

喷涂应用专家

瓦格纳提供所有性能的喷枪，都可为客户提供高质量的表面效果。我们提供手动和自动无气喷枪，空气辅助喷枪，空气喷枪，静电与非静电喷枪，高速旋杯。



Application expertise

The WAGNER spray-gun program optimally combines economical coating with superb surface quality. We offer manual and automatic guns for Airless, AirCoat and air atomization processes, with or without electrostatic support and optimal high speed rotary atomizers.



电子双组分混合器
FlexControl Productfamily

先进的双组份解决方案 Advanced 2K solutions

瓦格纳提供多种先进的混合和配比系统。除了创新的TWINCONTROL双组份设备之外，双组份家族具备其他的功能例如，自动换色，储存配方，配备外围设备接口，适用于混合精度非常高的低/高压喷涂应用。

WAGNER offers a wide range of advanced mixing and dosing systems. Besides the innovative TwinControl 2K units, the FlexControl family offers additional features such as automatic color change, recipe storage, peripheral equipment interfaces, and low and high pressure applications with a very high mixing accuracy.



标准双组分喷涂设备

瓦格纳TWINCONTROL电子双组份设备用于高精度混合，具备创新的行程测量技术。轻便的双组份设备是一款经济，实用和易操作的系统，满足多种需求，适合高粘度油漆，高流量生产应用。



Ready to spray 2K

WAGNER 2K electronic unit TwinControl for high precision mixing – with innovative stroke measurement technology. The portable TwinControl is an economical, compact and easy-to-use system for a wide range of demands, including high viscosity material applications and high delivery rates.

授权专业代理商

瓦格纳喷涂设备(上海)有限公司

上海市市北工业新区江场三路58号1层

邮编：200436

Tel: +86-21-36522199

Fax: +86-21-66308085

sales@wagner-spraytech.com.cn

www.wagner-group.com