

FINISH

SPRING / SUMMER 2017

The magazine for inspiration, decoration and do-it-yourself



CREATIVE
IDEAS FOR
DIY

AN OASIS OF WELL-BEING

New ambience in
your garden

THE NURSERY

Fun new look

PERSONALISED

Setting the scene
with walls

CREATIVE

Design your own
invitations

FINISH

The magazine for inspiration, decoration and do-it-yourself



Questions, Comments & Suggestions:

✉ J. Wagner GmbH
Selbermacher
Otto-Lilienthal-Strasse 18
88677 Markdorf
@ selbermacher@wagner-group.com
www.wagner-group.com/selbermacher
Please always give (including correspondence by email)
your postal address and telephone number.

Legal notice:
Finish – The magazine for inspiration,
decoration and DIY.

Issue: Spring / Summer 2017
Publisher: J. Wagner GmbH, Markdorf, www.wagner-group.com
Editing: Anja Temme, Andrea Schmidmeister, Svea Quednow
Design: Hinterland, www.das-hinterland.de



04



36



12

Create an oasis in your garden 04

A step-by-step guide:
We show you how you can furnish your garden

Decorate a nursery 12

A little surprise - how to make a bare room into an
enchanting nursery

Setting the scene with walls 22

Get a real wow-effect with the right colours

Upcycle your bicycle 28

Grab attention with your newly painted bicycle

Make your own invitations 32

Wax seals add creativity to your cards

One chair 36

Like new again and again



22



28



32



CREATE
AN OASIS IN
YOUR GARDEN

THE GREEN
LIVING ROOM



Conjure up your own oasis in the garden, which invites you to spend time and relax. But that is exactly what a garden should be: a quiet place to retreat and recover from the fast pace and stress of everyday life.

DO IT YOURSELF:

GARDEN
STORAGE BENCH

The garden is often the place where one gathers, a meeting point for spending time with family and friends, for laughing and celebrating. In southern countries, the garden has been an expansion of the living room for centuries.

Whether it is natural, carefully planted or modern and minimalist, we show you how to breathe some cosy ambience into your garden.

Seating is an essential component for creating a relaxing atmosphere. Why not add a comfortable bench that serves as a place to store things as well? A storage bench has room for chair cushions, pillows and charcoal but can also be used for sitting on - a real space-saving wonder that is particularly useful for small gardens.

We show you how to build a storage bench yourself and then how to easily paint it using a spray paint system. Or, if you prefer to buy a ready-made wooden chest or already have an old one that you want to revive, start with the storage bench instructions.





Here ←
is what you
need:

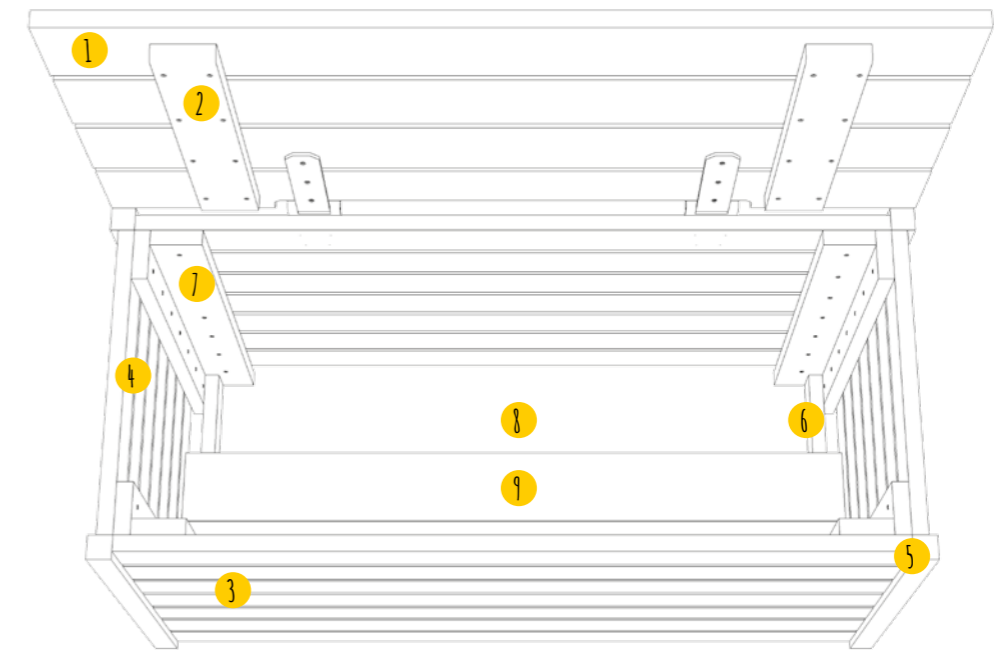
- 1 4 timbers for the upper side of the cover 100 x 10.5 x 2 cm
- 2 2 timbers for the underside of the cover 38 x 7 x 2 cm to fasten the upper side
- 3 14 side wall timbers 93.8 x 6.2 x 2 cm with rounded corners (0.4 cm)
- 4 14 side wall timbers 39 x 6.2 x 2 cm with rounded corners (0.4 cm)
- 5 4 timbers 3 x 3 x 49 cm
- 6 2 supports for the bottom 33.5 x 4.5 x 2 cm
- 7 8 corner slats 52 x 6.5 x 2 cm
- 8 2 bottom timbers (exterior)
- 9 1 bottom timber (interior) 93.5 x 10 x 2 cm
- 10 90 Philips head screws (3.5 cm long)
- 11 2 hinges (approx. 20 cm long)
- 12 3 washers (2 cm diameter)
- 13 1 small metal chain (approx. 47 cm)

Building the storage bench

1 Collect all the materials together from the materials list. It is easiest if the wooden timbers are precut. Alternatively use a saw or hand-held circular saw and a guide. Glue two of the eight corner slats at right angles to each other. Then screw the timbers for the long and short side walls firmly to them. Use a one centimetre spacer between them.

2 Screw them on the left and right side, then add the support for the bottom of the bench flush to the lower edge. Place these on the floor timbers. Then, evenly space the timbers for the top side of the cover. The spacer can be used here too. Then use the timbers for the underside of the cover to fix them in place by screwing them in firmly.

3 Screw the hinges on to the cover as well as the bench. To prevent the cover from tipping back, add the small metal chain. This is attached using the flat washers so that it does not tear out.



The numbers are given as position numbers in the material list:





TIP

TAKE PARTICULAR CARE WITH EDGES CLOSE TO THE FLOOR: THESE ARE OFTEN SPLINTERED AND IN NEED OF SANDING.

Preparing the chest for painting

- 4 The best place for the bench is in the garden so that you can access it from all sides.
- 5 It must be lightly sanded before it can be painted. We recommend 120 grit sandpaper for this. If you have one, you can use a sander, for example an orbital sander. Otherwise, simply do this task manually using a sanding block.
- 6 Then using a dust-free microfibre cloth, remove all dust and dirt from the surface. That will make the paint stick to the surface better.
- 7 Cover all areas with tape or foil that are not to be spray painted.

Preparing the sprayer

- 8 Pour paint into the container until it is 3/4 full. Dilute it according to the manufacturer's instructions.
- 9 The suction pipe should be aligned depending on how you are going to work. Point it backwards for working on the upper portion and forwards for working on the bottom.
- 10 The spray jet can be adjusted three-ways - horizontally, vertically and detailed. Carry out a test spray to find the right settings for you.

The spraying process

- 11 Spray the corners, edges and recesses first before moving on to the surfaces. For best results, move the spray gun at a consistent speed, maintaining a consistent distance from the surface. Spray from the outside with a uniform distance over the slats.
- 12 Be sure to only change the spraying direction once past the ledge. This avoids a build-up of thicker layers of paint during direction changes.
- 13 After spraying, allow the paint to dry in accordance with the manufacturer's instructions.

Your storage bench is ready for use at your next garden party or for storing charcoal and garden furniture cushions in the meantime. But what about some fresh drinks? Wouldn't it be perfect to have a place where snacks and drinks could be prepared directly in the garden or on the terrace? A garden bar makes that easy to do and is also a brilliant little focal point. The neighbours will be envious!



TIP

USE THE INCLUDED STIRRER, EACH NOTCH CORRESPONDES TO 10% DILUTION.





Garden bar focal point

Enjoy freshly made drinks right in the garden - with your own garden bar, you can cut fruit, make garnishes, crush ice and even pluck some fresh herbs for cocktails. Fresh glasses and bottles no longer clutter the table because they're neatly stored. And a bar always invites guests to linger because it really is the focal point of any garden party. Toast with your family and friends to your wonderful garden.

Experienced hobbyists can build and paint this garden bar completely themselves. You'll have a truly unique object that you can be really proud of.



By the way:
You can find a detailed step-by-step instructions at www.wagner-group.com/gardenbar

DO IT YOURSELF: GARDEN BAR



TIP

SINCE PAINT APPLIED TOO THICKLY CAN CAUSE DRIPS, IT IS BETTER TO SPRAY TWO THIN COATS RATHER THAN ONE THICK ONE.





A LITTLE SURPRISE



Baby shoes and cakes: Baby showers are a trend from the USA that have become common here. Friends of the soon-to-be mother are invited to bring gifts and play all kinds of games about babies.

When the stork appears with increasing frequency among a circle of friends, baby showers can start to get tiresome. As an alternative, Linda had the idea to organise a refurbishment day for her pregnant friend Anna who wanted to make the guest room into a nursery. Linda called her closest friends together to give the bare room a make-over and turn it into an enchanting nursery. The renovation was planned for the morning, the unveiling for Anna in the afternoon followed by a small party.

The new design of the room was a surprise for Anna", explained Linda. "But the basic design, colour selection and patterns we used were not. We talked a lot to her to find out how she imagined the room would look. She also set up an online pin board where she collected pictures, colours and patterns that she liked. We looked at that to figure out the look that she wanted for her nursery".



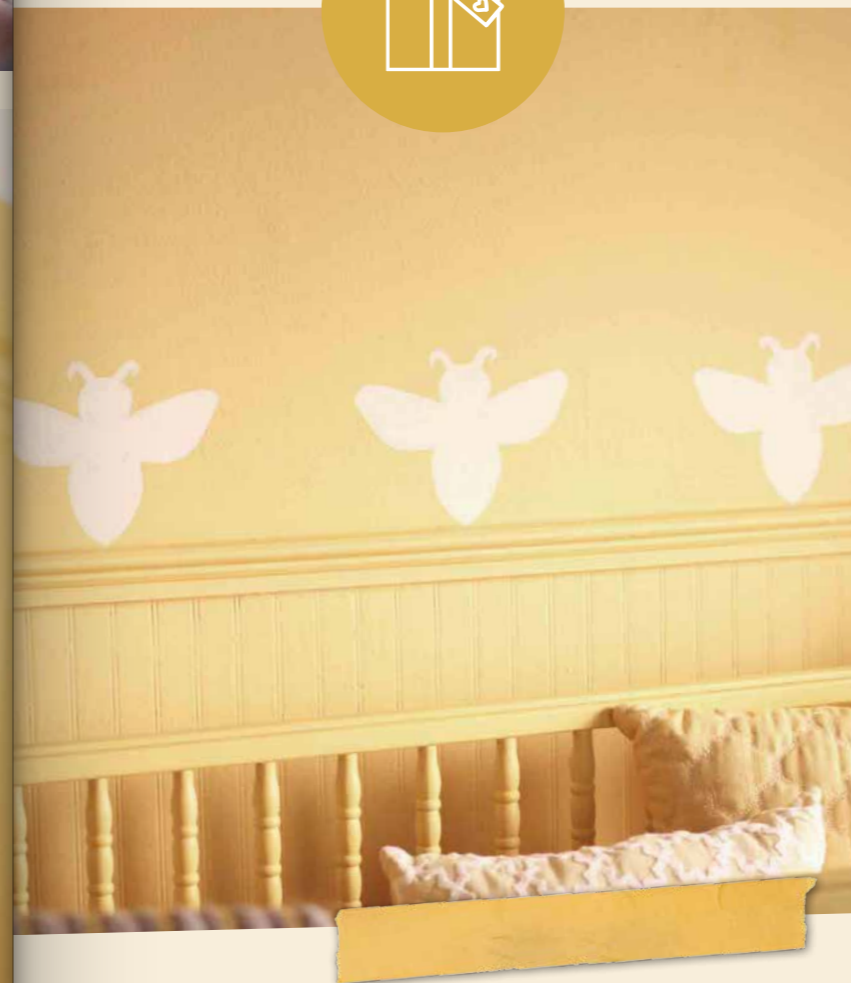
TIP

STENCILS CAN BE USED TO PERSONALISE WALLS AND CHILDRENS FURNITURE. THEY CAN BE PURCHASED IN ANY CRAFT SHOP OR ARE EASY TO MAKE AT HOME. LOVELY, CHILDREN'S STENCILS CAN BE EASILY BE ADDED TO WALLS.

Attention, ready, spray!

Anna loves the colour yellow which is why she chose honey bees as the theme for her nursery. To give the room a pleasant charm, Linda and her friends organised old furniture from Anna's family and gave them a new coat of paint. That is also very much in keeping with the upcycling trend of making old objects into a one of a kind.

The walls also desperately needed a new, warm colour. What could be better than a blissful sunshine yellow?



Stencils and painter's tape make it really easy to create a new effect in no time. Cut your pattern out of foil and simply stick it to the wall with stencil glue. Then spray. Remove the stencil before the paint completely dries so that the edges stay looking sharp.

Little wooden flower ornaments from a DIY store were added to the side of the cupboard with pins and can also be used as stencils for the vintage cupboard. With adhesive tape, they look like flower stems after spray painting.

"This painting project is so easy", said Linda. "And it was a lot of fun to do it together with friends. We took turns spraying the walls and the furniture".

Busy bees

Before starting with the painting, the friends thoroughly washed the furniture. Cover the floor and objects that should not be painted using old sheets. They painted everything in one colour to create a fresh, modern scene for pillows, fabrics and furniture. Time for the surprise!

By the way:

You can find detailed video instructions about the sprayer they used, W 890 FLEXiO, at www.wagner-group.com/w890video_en





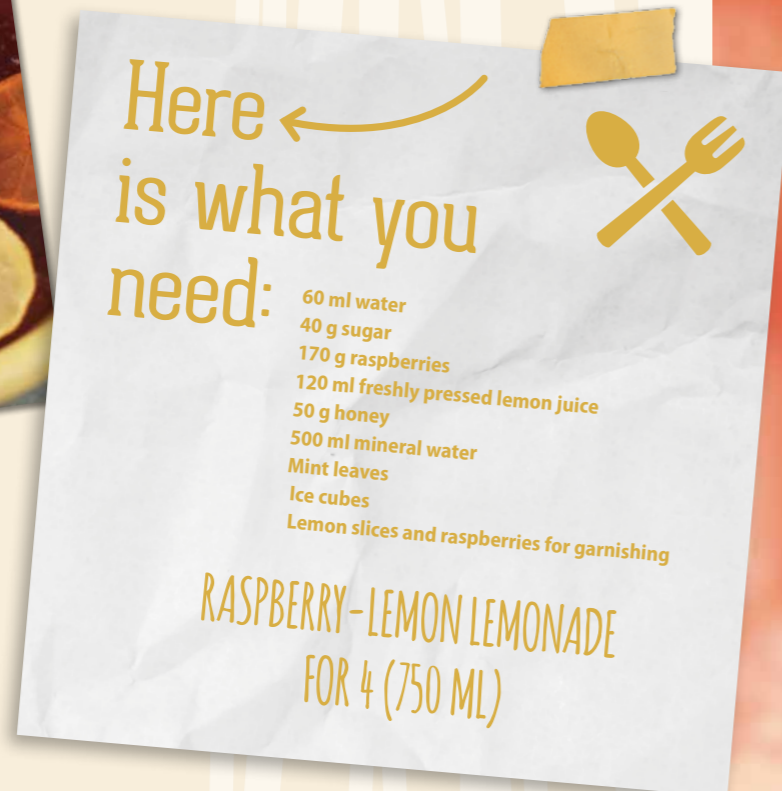
TIP

YELLOW ENLIVENS AND RADIATES INSPIRATION, EMBODIES HOPE AND LIGHT.

Accessories such as rugs, pillows or stuffed animals in the same colour palette makes the nursery even more cosy and inviting.

The old cot with new paint and all furnished is ready to use and creates a focus for the room. A summary of the day? An afternoon full of fun, an unforgettable good time and a brilliant little surprise for the soon-to-be mum.





Done! Time for refreshment?

After the nursery has been remodelled and furnished, it's time for a little refreshment. A fruity raspberry-lemon lemonade is just what's called for.

But first the sugar syrup needs to be made. Heat water and sugar on the stove until the sugar has completely dissolved. Meanwhile, purée the raspberries and press through a sieve. Mix the raspberry purée with the lemon juice, the cooled sugar syrup and the honey. The honey adds a particularly aromatic touch to the lemonade. To give the lemonade some fizz, add some sparkling water at the end. Garnish with a mint leaf, lemon slice and raspberries.



SETTING THE SCENE WITH WALLS!



AFTER

Cari Cucksey, an antiques specialist for the American television station HGTV redoes her hip inner-city apartment with a colour roller from WAGNER. She shows how a fresh shade of colour transforms a bare white corridor instantaneously and makes a new statement in your home.



BEFORE

This mostly monotone corridor desperately needs a colour-lift.



ARE YOU NOT SURE ABOUT THE RIGHT COLOUR? JUST PLACE PAINT SAMPLE CARDS ON THE SURFACE YOU WANT TO TRANSFORM TO HELP YOU FIND THE PERFECT HUE MORE EASILY.





From monotone to wow-effect in just a few steps

- 1 Clear everything out of the room and cover the floor. The best is to use a drop cloth or even better, old bed sheets or painters dust sheets - it also immediately absorbs any random spray from the paint sprayer. As an alternative, you can place the furniture in the middle of the room and cover it well.
- 2 Then use masking tape to cover all areas that should not get painted, such as floor boards, stair landings, sockets and door frames.
- 3 Prepare the WAGNER paint roller with integrated paint tank. Attach the suction system to the paint bucket and pull paint into the roller tank.
- 4 Begin by applying the paint in the corners, edges and recesses before moving on to the broad surfaces. Pump the paint manually into the roller using the suction grip or the pump button.
- 5 Now, wait until the paint is dry, then rearrange your room and enjoy your new masterpiece.

Cari obviously likes the new coat of paint and she and her husband are thrilled with the result.

Cari and her husband Vince felt like a certain something was missing from their flat. So they decided to transform the bare wall in the corridor of their flat with a new coat of paint.

Cari chose a colour that would set off her favourite picture which she wanted to make more prominent on the newly designed wall. However, when choosing a colour, it is important to select one that complements the overall concept of the room.

Cari chose a delicate green - called Seladon Green. This tone has been around since victorian times and was also a favourite for making ceramics - supposedly - Seladon ceramics had to change colour as they contained food poisoning. The colour is still loved today and is a very elegant hue. It is like a pale green sea that brings calm into a room making it perfect for relaxing and feeling at home.

TIP

EXCEPTIONALLY PRACTICAL:
USE MASKING TAPE WITH
ATTACHED PAPER OR PLASTIC FILM
SO THAT IT IS MUCH EASIER TO
REMOVE WHEN THE PAINTING IS
DONE!



CLEAN SOLUTION

ABOUT THE ROLLER



HandiRoll 550

The paint is pumped through the pump handle to the roller.

New paint is the best means to beautify your home and give your walls fresh energy. Whoever insists on rolling paint using a roller should look no further than WAGNER paint rollers. There are two versions of this practical paint roller:

The paint is stored in the tank for both and can be easily delivered to the roller by pressing the trigger or the button.

It makes rolling paint not only faster, but also less messy and more convenient than with conventional rollers because there is no stressful bending over, recharging the roller with paint, wiping it and watching for drips. Walls, ceilings, even façades can be conveniently painted because the paint tank is like an extension that does away with the tiresome climbing up and down ladders, as is normal for high walls and ceilings.



TurboRoll 550

Paint is fed into the interior of the roller with a push of a button.



Customer reviews

"THE PAINT APPLIES WITH VERY GOOD COVERAGE AND THERE'S NO DRIPS. WE HAVE NEVER BEEN ABLE TO PAINT A WALL SO CLEANLY AND WITH SUCH GOOD COVERAGE. AND OUR BACKS ARE ALSO THANKFUL BECAUSE WE STILL HAVE QUITE A FEW SQUARE METRES AHEAD OF US AND WON'T HAVE TO KEEP BENDING DOWN TO THE BUCKET."

Sarah K. from Cologne

"QUICK, HANDY, UNCOMPLICATED. THE TURBOROLL 550 TOTALLY WON ME OVER WITH ITS EASY HANDLING AND THE BRILLIANT RESULTS. IT IS A REAL HELP WHEN REFURBISHING AND I WILL DEFINITELY RECOMMEND IT TO OTHERS."

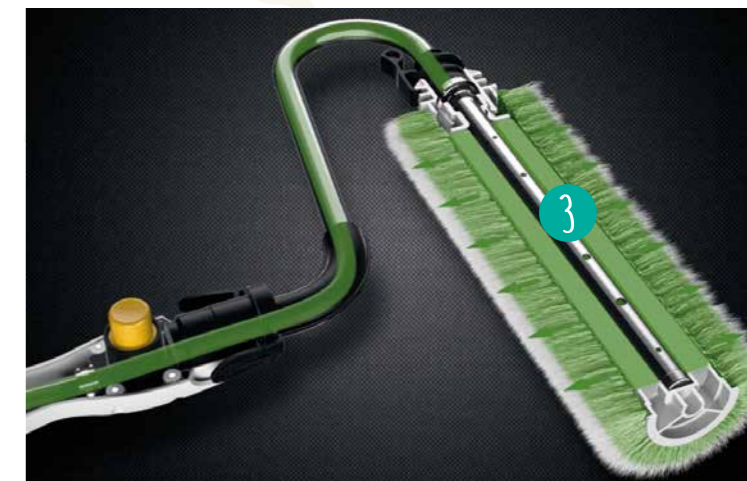
Sabine and Dennis R.
from Gießen

"ABSOLUTELY RECOMMENDED! NO-DRIPS AND FAST WORK. EVEN SUITABLE FOR 'PAINTERS' WITH NO EXPERIENCE. VERY EASY TO HANDLE."

Claudia and Mark D.
from Bremen

This is how it works:

The paint is pumped into the roller trigger by pressing a button/trigger (1) and then fed into the interior of the roller (2). There, the paint is distributed evenly to the pile through the little holes in the inner structure of the roller (3). Since most of the paint does not end up on the outside of the roller, there is no tendency for runs to occur when rolling on the paint. A clean thing – all around!





BEFORE

GAIN ATTENTION WHILE ON THE ROAD

The bicycle - for some, a practical way to get from point A to B, for others, a symbol of freedom and the feeling of wind in their face while they enjoy the passing countryside.



AFTER



Why do most bicycles look so very boring and monotone when it is so easy to be a little more extravagant and give your bike a personal touch? With just a little skill, anyone can remake their bicycle without expensive, professional help. Whether conspicuous or in pastel colours, crazy or dreamy - anything is possible!

All you need is the right material and a paint spraying system because with that, really good results can be achieved, even if you have no experience. Spray your bike with your favourite colour and you'll be an attention-grabber wherever you go.

Before you give your bicycle a new look, you should thoroughly clean it, sand the old paint and remove the sanding dust. So that the new colour really glows with the right hue and lasts longer, we recommend first giving the parts a coat of primer. This is easier if you take the bike apart.

Once the primer is dry, spray on the colour you want, allow to dry, rebuild the bicycle and you are ready to go!

TIP

YOUR BICYCLE WILL LOOK EVEN MORE PERSONALISED IF YOU USE STENCILS OR PATTERNS TO DECORATE IT. AFTER PRIMING IT BUT BEFORE APPLYING THE COLOUR, COVER IT IN THE SHAPES YOU WANT. THERE'S NO LIMIT TO WHAT YOU CAN CREATE: STRIPES, LETTERS, OR - LIKE IN OUR EXAMPLE - FLOWERED SHAPES, JUST TO NAME A FEW.



HOT TREND

WAX SEALS

By the way:



You can find more inspiration on what to do with a heat gun by watching our application film at www.wagner-group.com/furnovideo_en

During the Medieval times, wax seals were indispensable because most certificates, letters and legal transactions were sealed with wax for secure transmittal.

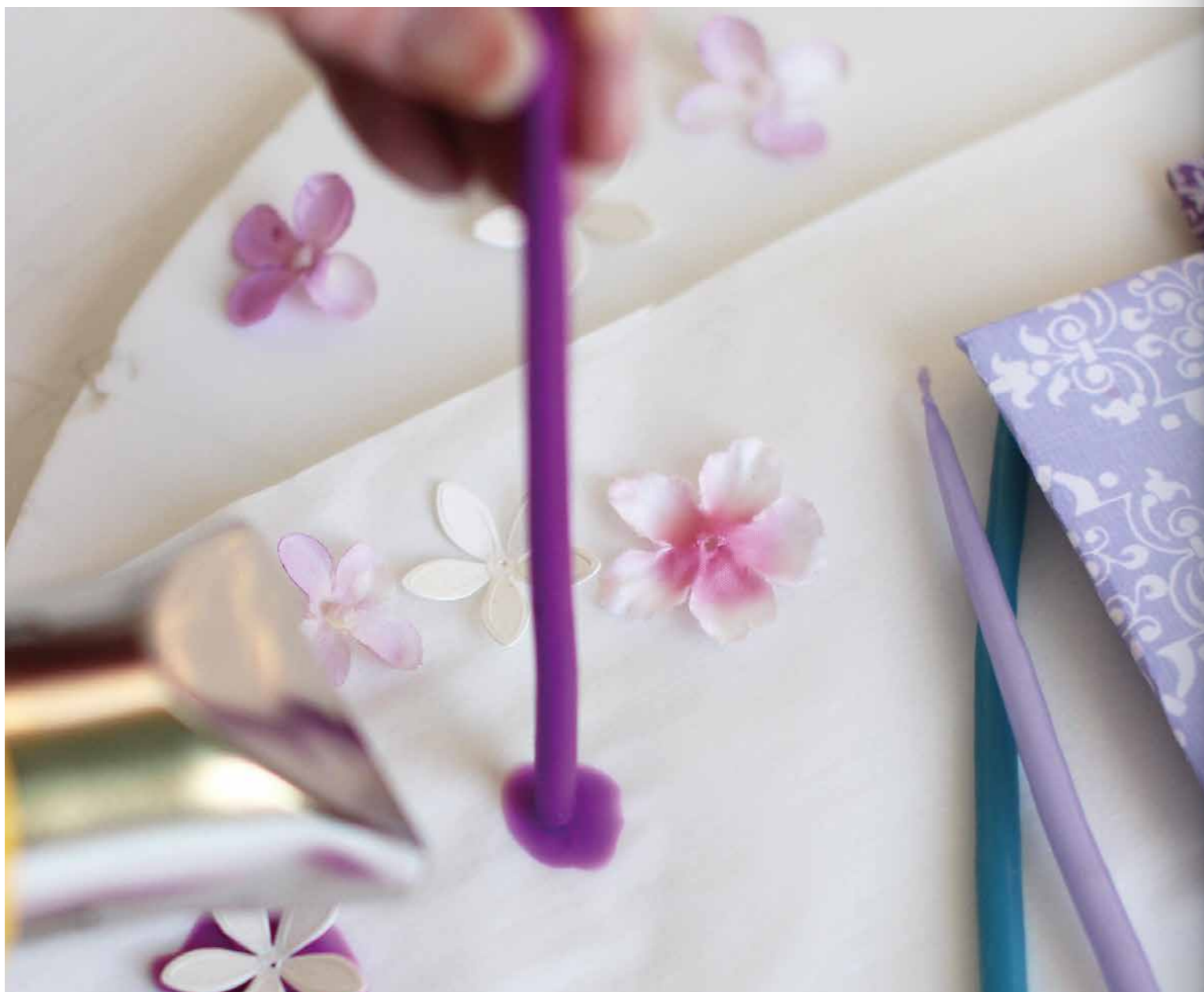
High-ranking groups of people, like the Pope or the German emperor, distinguished themselves from common traders or citizens by using colourful wax seals. Wax seals are back in style today. Especially invitation cards for various events such as weddings, birthday parties, celebrations or thank-you notes are enhanced by adding this personal note. All that you need is pretty envelopes, a heat gun and a few left-over coloured candles.

Here is what you need:



- Envelopes with a simple or an eye-catching design
- Candles or remaining bits of candles in various colours
- Heat gun
- Parchment paper
- Other decorative elements such as artificial flowers, pearls or even shells





TIP

PREPARE SEVERAL DIFFERENT
WAX SEALS ON ONE SHEET OF
PARCHMENT PAPER AND THEN USE
THEM WHENEVER YOU WANT TO
PERSONALISE A CARD.

Here's how it works:

- 1 Place a piece of parchment paper on a flat work space.
- 2 Place the candle on the parchment paper with the wick upwards. Hold the heat gun to the bottom end of the candle and let the wax slowly melt until a small circular puddle has formed.
- 3 Now, place something like a flower in the middle of the liquid wax and allow it to harden.
- 4 To use the wax seal you've made, just remove the parchment paper. Then place the seal over the closure of the envelope and warm it up again using the heat gun at low temperature, press the seal gently and then allow it to cool. Your envelope will be sealed and the addressee will enjoy an individually made card.



ONE CHAIR

LIKE NEW AGAIN AND AGAIN



Summer is almost here and the garden is beckoning us to be outside as much as possible. All that needs to happen for relaxation is to haul the terrace furniture up out of the basement or from the shed and - ? But what if the paint is peeling from the wood furniture or the untreated wood is weathered and grey? That definitely does not create a holiday mood in the garden on or the balcony.

We show you how to easily and very quickly transform an old chair into a real one of a kind. There are no limits to your imagination. Here are two very different looks for those who want a bit of inspiration.



BEFORE



LOOK 1

Romantic beach feeling

Relaxing outside in the open, enjoying the fresh air and beauty of nature is a very romantic idea. Why not take this idea and beautify a boring wooden chair?

The romantic style is reminiscent of a beach basket that has been lightly weathered by the sand and salty air. Here is a place to dream of summer, the sea and the many associated beautiful memories.

Vintage furniture in a used look which totally in style now. They are set off perfectly in a modern environment. Every crack and every scratch tells its own story. Authentic antiques are often very expensive. Doing it yourself is a real alternative.

And it's so simple to achieve this style:

If there is still some paint left on the chair, sand it thoroughly and then wipe the dust off with a cloth. Prime the chair grey first using a spray system and allow it to dry thoroughly. Then, create the used look using a chalk paint colour. Carefully dot the paint onto the wood using a cloth, so that an irregular pattern is created. Allow it to dry well and then enjoy your self-made holiday feel chair.



TIP

ADDING ACCESSORIES SUCH AS PILLOWS OR RUGS WITH A FLORAL PATTERN MAKES THE LOOK FULLER AND ADDS AMBIENCE.



LOOK 2

Modern striped look

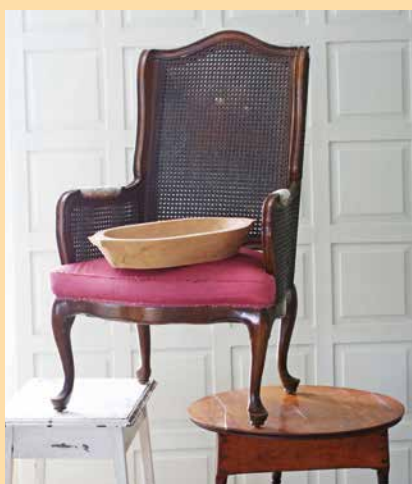
The chair in a colourful stripe looks completely different.

It looks fresh and the graphic element is a real eye-catcher. The vertical slats on the chair are perfect for the striped look. Choose your favourite colours, for example, white and green are perfect summer hues.

Prime the chair in white paint and let it dry thoroughly. Then, simply tape or cover all places that should not be painted with the other colour. Spray the rest of the slats with the second colour. If you want, you can paint the armrests and the chair legs yet another colour. When everything is thoroughly dried, remove the masking tape.

Using a colourful stripe creates a lively contrast and an exceptional design. It's an easy way to make a simple chair into a real eye-catcher.





Are you planning to decorate or renovate your home? Build garden furniture yourself? Paint bright colours on the wall or make creative invitations? Whatever the item you think deserves a new coat of paint, **why not do it yourself?**

FINISH

The magazine for inspiration, decoration and do-it-yourself

Visit our website for hints, instructions and advice for applying the perfect coat of paint:
www.wagner-group.com